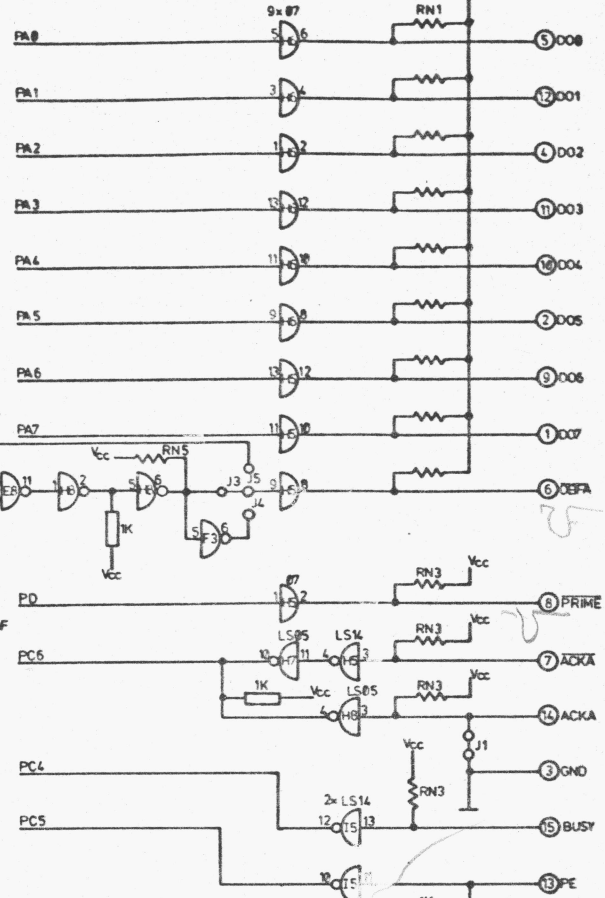
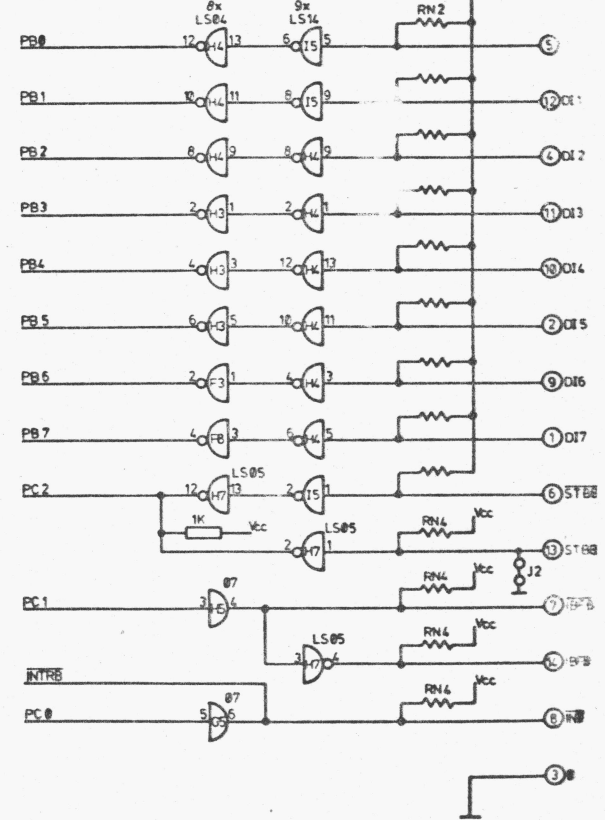


PARALLEL OUTPUT PORT



PARALLEL INPUT PORT



SALOTA			Mr./Mrs.
1988	Datum	Norm	Stromlau
25.01			
a) Dr. Anderson 6.5.80.82 c) Dr. Anderson 9.4.80.82 b) Dr. And. 14.2.80.11			SALOTA 1
			5000 31 0