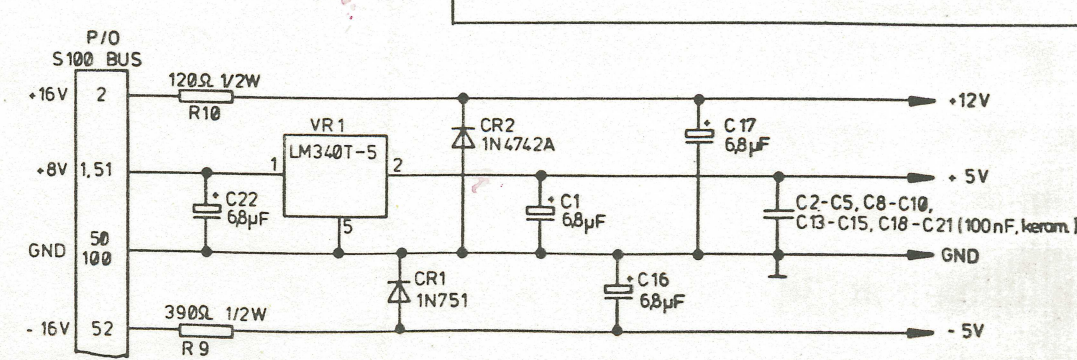


BASF 6104	PERSCI 277	BASF 6102
TRK 43		JNUSE
N/C	DRV SEL 2 RIGHT	N/C
ERASE		N/C
TRK 43		N/C
TWO SIDE	SEEK COMPLETE	N/C
DISK CHANGE	RESTORE	N/C
SIDE SELECT	RENOTE EJECT 0	ERASE
INUSE	HEAD LOAD	TRK 43
HEAD LOAD	DRV SEL 2 LEFT	wie 6104
INDEX	INDEX 0	
READY	READY 0	
SEKTOR	N/C	
DRV SEL 1	DRV SEL 1 LEFT	
DRV SEL 2	DRV SEL 1 RIGHT	
DRV SEL 3		
DRV SEL 4		
DIRETION	DIRETION	
STEP	STEP	
WRT DATA	WRT DATA	
WRT GATE	WRT GATE	
TRK 00	TRK 00	
WRT PROT	WRT PROT 0	
RD DATA	RD DATA	



**SALOTA**

1979	Datum	Name
Bearb.	9.8.	Mausl.
Gepr.		
Norm.		

Stromlaufplan  
Floppy - Controller

5000.41.01

Blatt 2  
2 Bl.